

TSFNA57 Series Linear Actuators

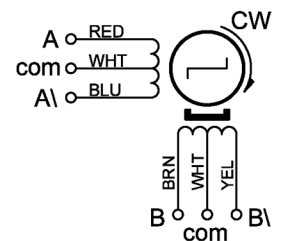
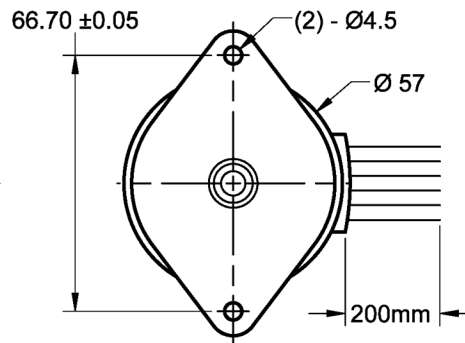
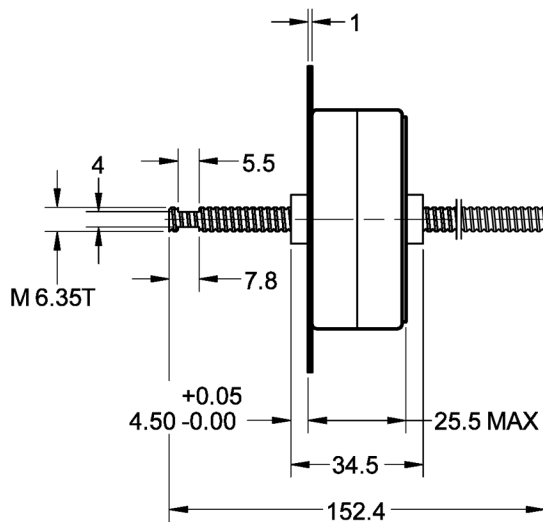


FEATURES

- **Cost-Effective Linear Actuator**
- **Step Motor with Internal Conversion to Linear Output**
- **Up to 24lb of Thrust**
- **Can be Customized for:**
 - **Screw Options**
 - **Leadwires**
 - **Cables and Connectors**
- **CE Certified, RoHS Compliant**



DIMENSIONS



All units are in (mm)

SPECIFICATIONS

The TSFNA57 Series Non-Captive Linear Actuators are the perfect choice for cost-effective linear motion. The stepper motor internally converts rotary motion to linear motion via a rotating nut and a leadscrew. This actuator eliminates the need for other rotary-to-linear conversions such as belt and pulleys, rack and pinions, or external ball screws. Motion designs can be simplified, production costs lowered and product life enhanced. The motors can be customized to fit your machine requirements. The motor comes in a standard 6-lead configuration and is available in a 4-lead configuration. We can also customize the winding to perfectly match your voltage, current, and maximum operating speed. Special screw modifications, cables and connectors are also available upon request.

Model #	Motor Size	Force (lbs)	Bipolar Current	Bipolar Voltage	Resistance Per Phase (ohm)	Inductance Per Phase (mH)	Travel Per Full Step (in)	# of lead wires	Weight (lbs)
TSFNA57-075-26-042-LW4	57mm	24	0.5	12	24	31	0.005"	4	0.66
TSFNA57-075-26-023-LW6	57mm	24	0.32	16	50	116	0.00098"	6	0.66

L010717